



E S T U D I O P E R S O N A

WWW.ESTUDIOPERSONA.COM  
INFO@ESTUDIOPERSONA.COM



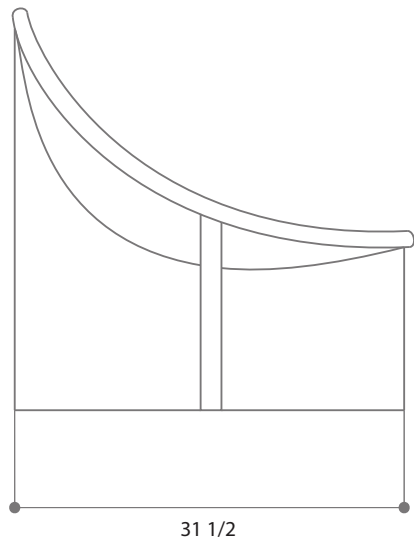
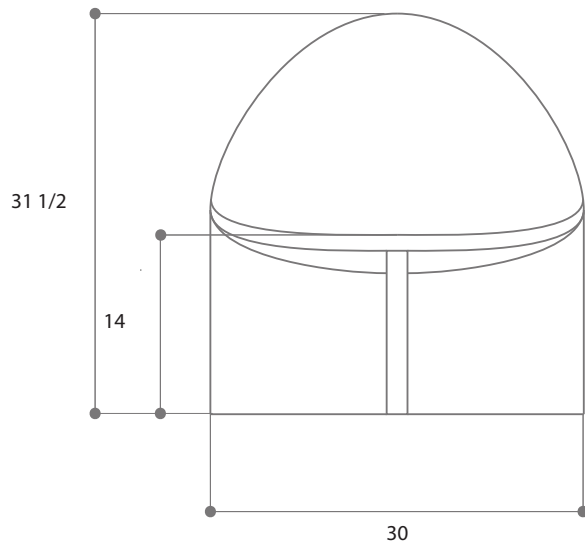
White Oak  
Olive suede



White Oak  
Cognac leather



White Oak  
Black leather



## NIDO CHAIR

The Nido chair plays with the interconnection of shapes. Its wooden base and upholstered curved seating, effortlessly combines comfort with form.

### PRODUCT SPECIFICATIONS

#### MATERIALS

Solid wood base | upholstered laminated wood seat | foam padding. Available in white oak | walnut | maple | black stained ash | mahogany | combined with black leather | cognac leather | olive suede. Also available in COM or COL.

#### DIMENSIONS

30 W 31.5 D 31.5 H IN  
76 W 80 D 80 H CM

#### WEIGHT

49 lbs | 22kg

#### FABRIC REQUIREMENTS

2 yards  
Swatch required for approval

#### SHIPPING

Worldwide shipping.  
Quotes upon request.

### CLEANING INSTRUCTIONS

#### *Solid Wood*

Use a soft dust cloth wrung out in clean water and gently go over marks until clean. After cleaning, the wood should be dried with a soft cloth to prevent streaks and scratches.

PLEASE NOTE: All of our wood products have a water based clearcoat for further protection.

#### *Leather*

##### *Vegetable tanned leather*

##### *Suede*

If you have a leather item with some marks or stains use a dry, soft bristled brush to remove loose debris from the surface of the leather. Do not focus on one area, but rather a complete wipe down moving quickly and evenly.

PLEASE NOTE: Natural materials will come with peculiarities and develop a characteristic patina over time.

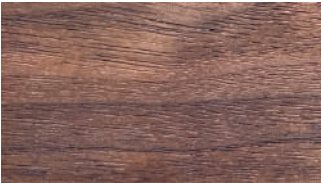
### handmade in los angeles

Every effort is made to ensure an accurate representation of product colours, finishes and dimensions, but due to the handmade nature of this product, there may be a slight variation. Colour swatches are for reference only; Estudio Persona cannot guarantee exact colour match for any product finishes. All designs are protected under copyright law. Estudio Persona holds the exclusive manufacturing and distribution rights worldwide. Copying will be prosecuted.

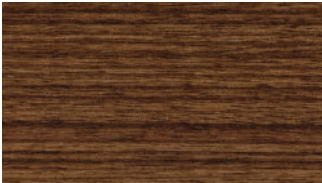
MATERIALS AND FINISHES



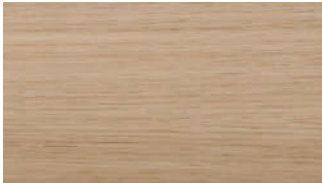
*Black Stained Ash*



*Walnut*



*Oiled Walnut*

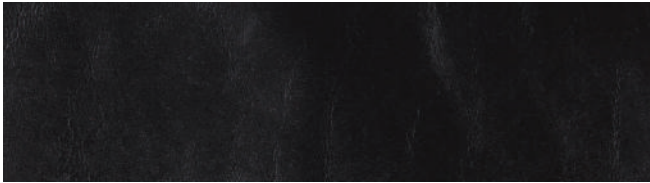


*White Oak*

*SOLID WOOD*  
Type: Ash  
Walnut  
White Oak



*Cognac Leather*



*Black Leather*

*LEATHER*  
Type: Cowhide  
Average hide size: 20-25 sq. ft  
Weight: 5 oz  
Thickness: 2.0 mm  
Appearance: Consistent in Color



*Olive Calf Suede*

*CALF SUEDE*  
Average Hide Size: 15-20 sq ft +/-  
Thickness: 0.8mm-0.9mm  
Weight/Thickness: 2.0 oz