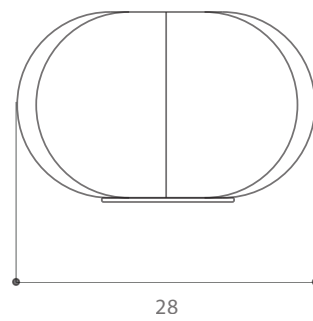
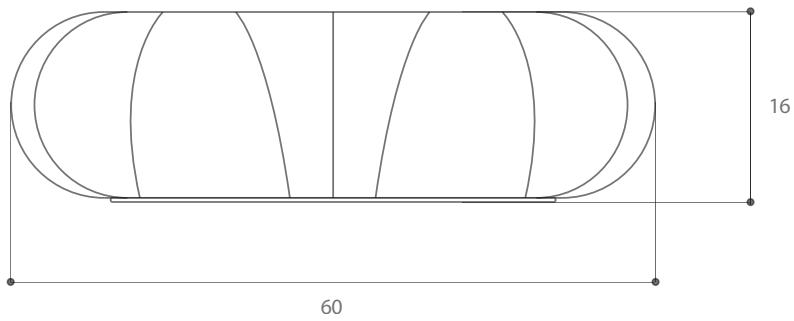
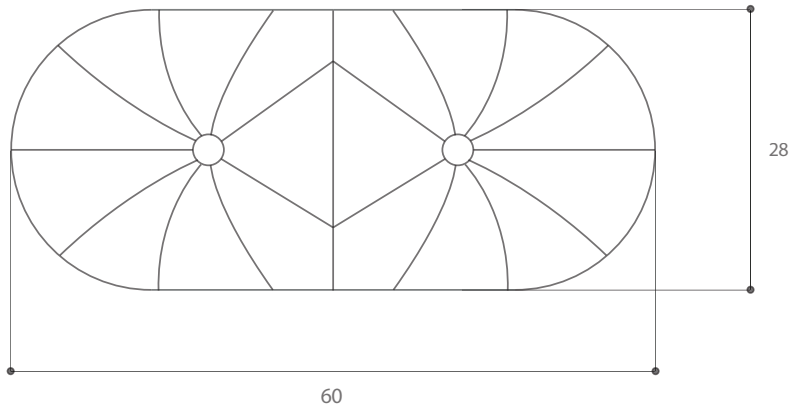




E S T U D I O P E R S O N A

WWW.ESTUDIOPERSONA.COM
INFO@ESTUDIOPERSONA.COM





HOLE BENCH

A playful exaggeration of the circle is rendered in a cartoon like bench, overstuffed and pushed to the limits, while simultaneously exploring the depths that can be created while circular forms flow inward and fall into themselves. Smooth white upholstery suggests the liquid flow of air in constant movement

PRODUCT SPECIFICATIONS

MATERIALS	Cnc foam and fabric upholstered
DIMENSIONS	28D 60L 16H IN 71.12 D 152.40 L 40.64 H CM
WEIGHT	80 lbs 36 kg
FABRIC REQUIREMENTS	8 yards swatch required for approval
SHIPPING	Worldwide shipping. Quotes upon request.

CLEANING INSTRUCTIONS

Fabric

Vacuum regularly, use non-abrasive textile cleaners in order to remove any stains from the fabric.

handmade in los angeles

Every effort is made to ensure an accurate representation of product colours, finishes and dimensions, but due to the handmade nature of this product, things may have a slight variation. Colour swatches are for reference only; Estudio Persona cannot guarantee exact colour match for any product finishes. All designs are protected under copyright law. Estudio Persona holds the exclusive manufacturing and distribution rights worldwide. Copying will be prosecuted.