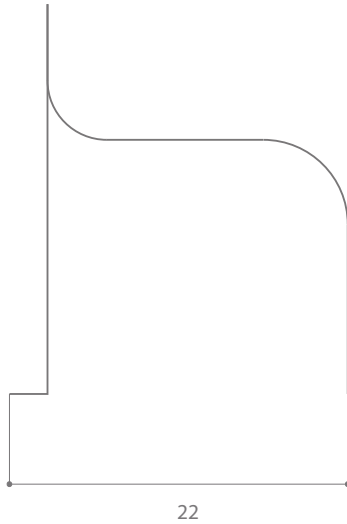
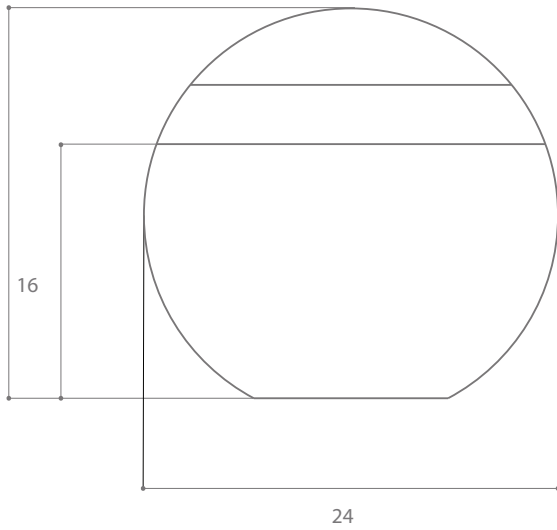






23 1 / 4



## O STOOL

The O Stool harnesses the circular form, pushing its boundaries through a series of unfolding and folding actions, transforming the typically rigid steel into a depiction of fluid softness. The stool demonstrates not just aesthetic finesse, but also remarkable durability, making it suitable for both outdoor and indoor use.

## PRODUCT SPECIFICATIONS

MATERIALS	Powder coated blackened stainless Steel sheets
DIMENSIONS	22 D 24 W 23.25 H IN 55.8 D 61 W 59 H CM
WEIGHT	41lbs   18 kg
SHIPPING	Worldwide shipping. Quotes upon request.

## CLEANING INSTRUCTIONS

### *Powder coated Blackened Steel*

Use a dry soft cloth to gently go over marks until clean. Do not apply pressure on persistent marks. Remove them using repeated gentle motions and by reapplying with some clean water if necessary. Please note all of our metal products have a clear powder-coat for further protection. Do not use brass cleaners or abrasive pads as they will remove the finish.

## handmade in los angeles

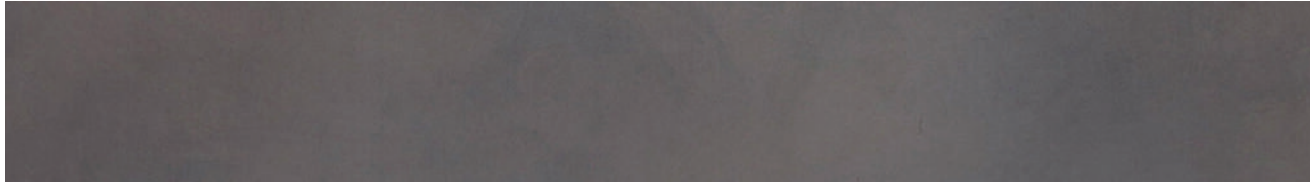
Every effort is made to ensure an accurate representation of product colours, finishes and dimensions, but due to the handmade nature of this product, things may have a slight variation. Colour swatches are for reference only; Estudio Persona cannot guarantee exact colour match for any product finishes. All designs are protected under copyright law. Estudio Persona holds the exclusive manufacturing and distribution rights worldwide. Copying will be prosecuted.

## MATERIALS AND FINISHES

*BLACKENED STEEL*

*Gauge: 14*

*Finish: Clear Powdercoat*



*Blackened Steel*