





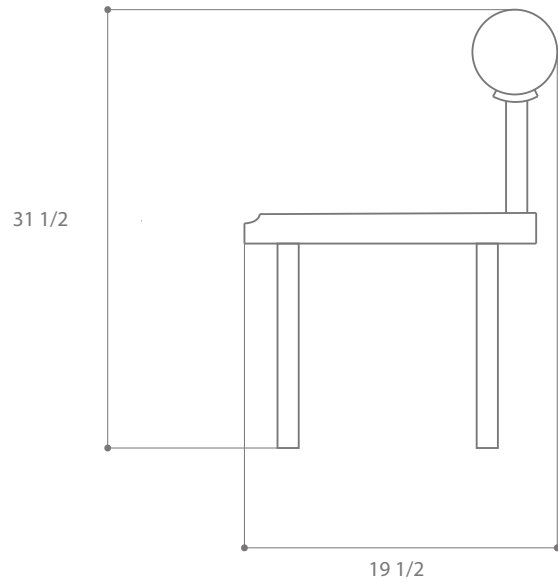
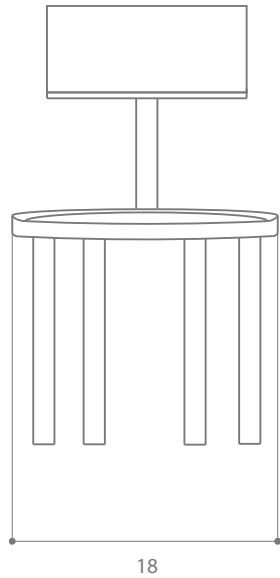
Black stained Ash  
Black leather



Oiled Walnut  
Black leather



Maple  
Nude leather



## UNA CHAIR

The UNA chair combines a round wooden seat and legs with a leather-upholstered cylindrical back, creating a balance between comfort and simple geometry. Its design highlights the natural beauty of the wood grain and emphasizes the craftsmanship of the leather upholstery. It's a piece that embodies both form and function.

Available in Maple with natural leather, black stained Ash wood with black leather, or Walnut with black leather. Backrest also available in COM.

## PRODUCT SPECIFICATIONS

MATERIALS	Solid wood structured with carved seat and leather upholstered backrest.
DIMENSIONS	19.5 D, 18 W, 31.5 H IN 49.50 D, 45.75 W, 80 H CM
WEIGHT	APPROX. 19 lbs / 9 kg
SHIPPING	Worldwide white glove shipping. Quotes upon request.

## CLEANING INSTRUCTIONS

### *Solid Wood*

Use a soft dust cloth wrung out in clean water and gently go over marks until clean. After cleaning, the wood should be dried with a soft cloth to prevent streaks and scratches.

PLEASE NOTE: All of our wood products have a water based clearcoat for further protection.

### *Leather*

If you have a leather item with some marks or stains use a dry, soft bristled brush to remove loose debris from the surface of the leather. Use a lightly damped rag with distilled or bottled water to clean and remove surface dirt. Do not focus on one area, but rather a complete wipe down moving quickly and evenly.

## handmade in los angeles

Every effort is made to ensure an accurate representation of product colours, finishes and dimensions, but due to the handmade nature of this product, there may be a slight variation. Colour swatches are for reference only; Estudio Persona cannot guarantee exact colour match for any product finishes. All designs are protected under copyright law. Estudio Persona holds the exclusive manufacturing and distribution rights worldwide. Copying will be prosecuted.

MATERIALS AND FINISHES



*Black Stained Ash*



*Oiled Walnut*

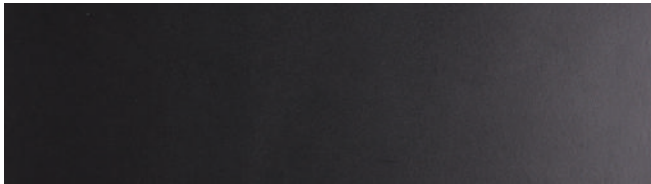


*Maple*

*SOLID WOOD*  
*Black Stained Ash*  
*Oiled Walnut*  
*Maple*



*Nude Leather*



*Black Leather*

*LEATHER*  
Type: Cowhide  
Grade: Tannery Run (TR)  
Average hide size: 20-25 sq. ft  
Gauged: Evenly throughout  
Thickness: 2.0 mm  
Appearance: Consistent in Color